

INKJET PRINTER

CJV200-75

CJV200-130

CJV200-160

Cartridge-ink model

Requests for Care and Maintenance

Care and Maintenance

You can also download the latest manual from official website.

MIMAKI ENGINEERING CO., LTD.

<https://mimaki.com/>

D203838-10
Original instructions

TABLE OF CONTENTS

Introduction	3
To Ensure Safe Use	4
Symbol Marks	4

Maintenance

1. Maintenance Precautions	6
2. Maintenance Methods	7
Maintenance Items and Timing	7
Ink Maintenance	8
Cap Rubber Cleaning	8
Carriage Underside Cleaning	9
Wiper Cleaning	10
Cleaning the NCU (Option).....	12
DAS (Automatic Correction Function) Sensor Cleaning	13
Ink Discharge Channel Cleaning	14
Media Sensor Cleaning	15
Media Cutter Cleaning	15
Media Holder Cleaning	17
Jam Sensor Detecting Plate Cleaning	17
Platen Cleaning	18
Cover (Exterior) Cleaning	18
When this Printer is Left Unused for a Long Time	18
3. Replacement of Consumable Item	21
Consumable Item Replacement Timing.....	21
Wiper Replacement	22
Cap Replacement	23
Replacing the Absorber Around the Station	24
Pinch Roller Replacement	26
Media Holder Replacement	26
Media Cutter Replacement	28
Waste Ink Tank Replacement.....	29
Cutter for Cutting Machine	32
Pen Line Replacement	32

Introduction

Thank you for purchasing the Inkjet printer CJV200 series.

Read the Request for Care and Maintenance ("this document" hereinafter) thoroughly and make sure you understand its contents to ensure safe and correct use of the product.

Please note that the illustrations contained in this manual are intended to show functions, procedures, or operations and may sometimes differ slightly from the actual machine.

Unauthorized reproduction of any portion of this document is strictly prohibited.

© 2024 MIMAKI ENGINEERING Co., Ltd.










● DISCLAIMERS

- MIMAKI ENGINEERING REJECTS ALL LIABILITY FOR DAMAGE ARISING DIRECTLY OR INDIRECTLY FROM THE USE OF THE CJV200 series ("THIS MACHINE" HEREINAFTER), WHETHER OR NOT THE PRODUCT IS FAULTY.
- MIMAKI ENGINEERING REJECTS ALL LIABILITY FOR DAMAGE, DIRECT OR INDIRECT, TO MATERIALS CREATED WHILE USING THIS MACHINE.
- USING THIS MACHINE IN CONJUNCTION WITH DEVICES OTHER THAN THOSE RECOMMENDED BY MIMAKI ENGINEERING MAY RESULT IN FIRE OR ACCIDENTS. SUCH INCIDENTS ARE NOT COVERED BY THE PRODUCT WARRANTY. MIMAKI ENGINEERING REJECTS ALL LIABILITY FOR DAMAGE, DIRECT OR INDIRECT, ARISING FROM SUCH INCIDENTS.
- USE ONLY GENUINE MIMAKI ENGINEERING INK AND MAINTENANCE LIQUID. USE OF OTHER PRODUCTS MAY RESULT IN FAILURES OR REDUCE PRINT QUALITY. SUCH INCIDENTS ARE NOT COVERED BY THE PRODUCT WARRANTY. MIMAKI ENGINEERING REJECTS ALL LIABILITY FOR DAMAGE, DIRECT OR INDIRECT, ARISING FROM SUCH INCIDENTS.
- DO NOT ATTEMPT TO REFILL THE INK CARTRIDGES WITH UNAUTHORIZED INK. SUCH INCIDENTS ARE NOT COVERED BY THE PRODUCT WARRANTY. MIMAKI ENGINEERING REJECTS ALL LIABILITY FOR DAMAGE, DIRECT OR INDIRECT, ARISING FROM SUCH INCIDENTS.

To Ensure Safe Use

Symbol Marks

This document uses symbol marks to explain precautions when operating the machine. Make sure you fully understand the meaning of each mark to ensure safe and correct use of the machine.

Explanation		
 WARNING	Warning	Indicates a potential hazard that may result in death or serious injury if handled improperly or if instructions are disregarded.
 CAUTION	Caution	Indicates a potential hazard that may result in minor or moderate injury if handled improperly or if instructions are disregarded.
 NOTICE	Notice	Indicates a potential hazard that may result in property damage if handled improperly or if instructions are disregarded.
	Warning sign	Indicates something that requires attention. Warning specifics are drawn inside the symbol.
	Mandatory action sign	Indicates an action that must be carried out. The specifics of the mandatory action are drawn inside the symbol.
	Prohibition sign	Indicates a prohibited action. The specifics of the prohibited action are drawn inside the symbol.
 Important!	Important	Indicates important information related to use of this machine.
	Tip	Indicates useful reference information.
	Reference information	Indicates the corresponding page for related information.

Maintenance

To ensure years of precise performance, maintain the machine periodically based on frequency of use. Read the maintenance precautions thoroughly before maintaining this product.

1. Maintenance Precautions



- This machine includes parts that must be replaced periodically. We therefore recommend taking out a maintenance contract. Carry out maintenance periodically and replace consumable items to prevent quality defects and accidents.

⚠ WARNING



- Clean periodically. Debris and dust will accumulate on electrical components when the machine is used for extended periods. There is a risk of failure, electric shock, or fire due to current leakage.
- Do not clean by blowing—e.g., avoid using air blowers. Doing so may lead to failure, electric shock, or fire involving the machine if airborne debris or dust gets inside electrical components. Wipe using a soft cloth soaked in diluted neutral detergent and thoroughly wrung out. A vacuum cleaner may also be used for cleaning.



- Be careful to prevent liquids from getting inside the machine. Otherwise there is a risk of failure, electric shock, or fire.

⚠ CAUTION



- For heavy soiling, wipe using a soft cloth soaked in diluted neutral detergent and thoroughly wrung out.



- Pay close attention to ventilation and be sure to wear safety glasses, gloves, and a mask when handling ink, maintenance liquid, waste ink, or other solutions used with the machine. Leaking ink may adhere to the skin or get into the eyes or mouth.








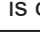









NOTICE



- Never touch the print head nozzle surface. Do not allow water or alcohol to come into contact with the print nozzle surface. This will increase the risk of machine failure or ejection failures (e.g., nozzle clogging or deflection).
- Do not use cotton swabs to clean around the head or carriage. Fibers from cotton swabs may adhere to the head nozzle surface and lead to ejection failures (e.g., nozzle clogging or deflection).
- Do not splash ink or maintenance liquid on the covers. Exposure to splashing ink or maintenance liquid may damage or deform the cover.
- Do not use benzine, thinner, or any chemical agent containing abrasives. Use of these chemicals may result in damage to or deformation of parts.
- Do not move the carriage by hand. To move the carriage, use the carriage out function on the menu.

2. Maintenance Methods

Maintenance Items and Timing

Timing	Item
Every three days, at the start of the work	Shake the ink.  "Ink Maintenance"(P. 8)
At the end of the week's work	Clean the cap rubber.  "Cap Rubber Cleaning"(P. 8)
	Clean the underside of the carriage.  "Carriage Underside Cleaning"(P. 9)
	Check the waste ink levels in the waste ink tank.  "When "Check Waste Ink Tank" message appears"(P. 30)
	Clean around the wiper.  "Wiper Cleaning"(P. 10)
Every month	Clean the NCU. (NCU is optional.)  "Cleaning the NCU (Option)"(P. 12)
	Clean the DAS sensor.  "DAS (Automatic Correction Function) Sensor Cleaning"(P. 13)
	Clean the ink discharge channel.  "Ink Discharge Channel Cleaning"(P. 14)
	Clean the media sensor.  "Media Sensor Cleaning"(P. 15)
	Clean the media cutter.  "Media Cutter Cleaning"(P. 15)
	Clean the media holder.  "Media Holder Cleaning"(P. 17)
	Clean the jam sensor detecting plate.  "Jam Sensor Detecting Plate Cleaning"(P. 17)
	Clean the platen.  "Platen Cleaning"(P. 18)
When not used for more than a week	Clean the cover (exterior).  "Cover (Exterior) Cleaning"(P. 18)
	Clean the cap and wash the ink discharge channels. After cleaning, store without turning off the main power supply.  "When this Printer is Left Unused for a Long Time"(P. 18)

Items Required for Maintenance

To order replacement consumable items, contact your local dealer or our service office. For more information on consumable items, refer to our website (<https://mimaki.com/supply/inkjet.html>).



- Do not store consumable items in locations where children may enter.

Ink Maintenance

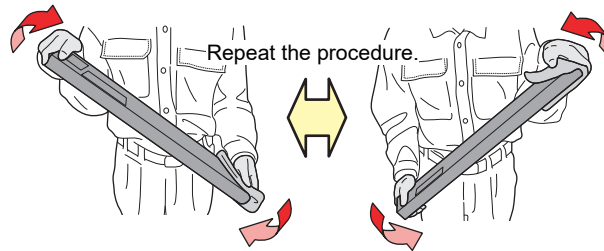
If ink constituents are sedimented, the ink density may become uneven. We recommend shaking the Ink pack periodically to keep printing consistent.

Solvent ink: once a month.

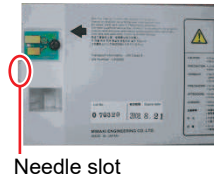
● Shake the Ink pack

1 Shake the Ink pack to the left and right slowly at least 20 times.

- Shake the bottle slowly from left to right to ensure that the ink moves inside.



- When using an ink cartridge with ink remaining, hold a paper towel over the gap between the ink cartridge slot and the side and shake slowly with the ink cartridge tilted upright.



Needle slot



Gap on the side

Cap Rubber Cleaning

The cap prevents the print head nozzle surface from drying out. Continuing to use a dirty cap may affect ink take-up and lead to ejection failures (such as nozzle clogging or deflection).



- Be careful to avoid leaving fragments from the cleaning stick behind when cleaning. These fragments will increase the risk of ejection failures (e.g., nozzle clogging or deflection).

1 On the LOCAL mode screen, select [MENU] > [Maintenance], then press the [ENTER] key.

- The Maintenance menu is displayed.

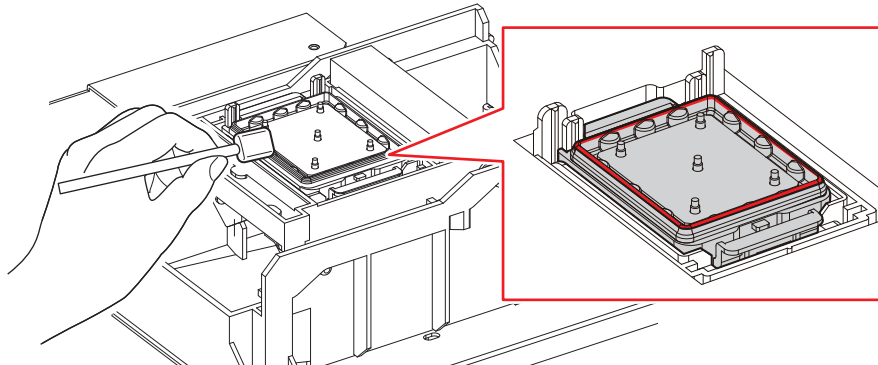
2 Select [Station Maint.] > [Carriage Out] > [Move To Platen Right End], then press the [ENTER] key.

- The carriage moves over the platen.

3 Open the maintenance cover (right side).

4 Clean the cap rubber.

- Wipe off any ink and dust adhering using a cleaning stick moistened with maintenance liquid. Wipe off the maintenance liquid. Make sure none remains.
- Clean the areas indicated in red (the entire interior and exterior of the cap rubber and the tabs) in the diagram.



5 Once cleaning is complete, close the cover, then press the [ENTER] key.

Carriage Underside Cleaning

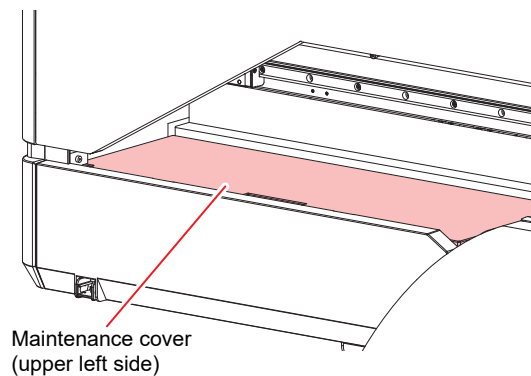
The underside of the carriage becomes coated with ink wiped off by the wiper. Continuing to use the dirty carriage underside will rub dried ink and attached dust on to the media, resulting in contaminated prints.

The print head uses an extremely delicate mechanism. Take great care when handling it.



- Be careful to avoid leaving fragments from the cleaning stick behind when cleaning. These fragments will increase the risk of ejection failures (e.g., nozzle clogging or deflection).

1 Remove the maintenance cover (upper left side).



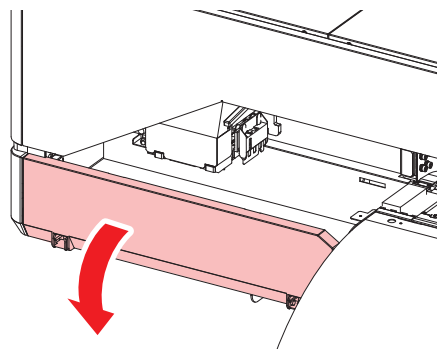
2 On the LOCAL mode screen, select [MENU] > [Maintenance], then press the [ENTER] key.

- The Maintenance menu is displayed.

3 Select [Station Maint.] > [Carriage Out] > [Move To Maint. Space], then press the [ENTER] key.

- The carriage moves to the maintenance space.

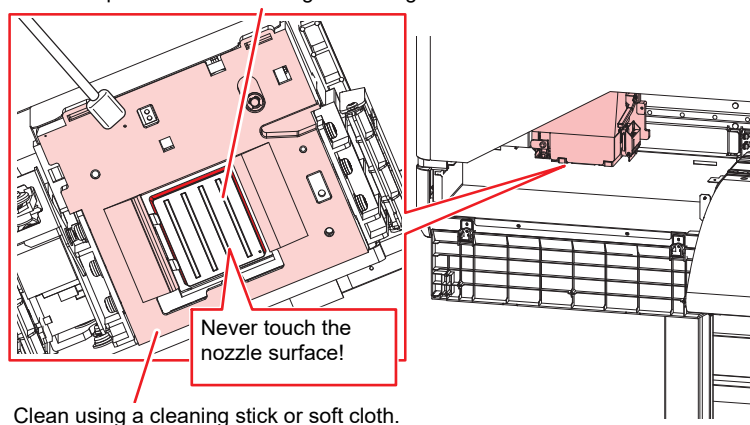
4 Open the maintenance cover (left side).



5 Clean around the print head.

- Wipe off any ink and dust adhering using a cleaning stick moistened with maintenance liquid. Wipe off the maintenance liquid. Make sure none remains.

Clean the print head sides using a cleaning stick.



- Never touch the print head nozzle surface.

6 Once cleaning is complete, press the [ENTER] key.

- The carriage moves back to its original position.

7 Close the maintenance cover (left side), then attach the maintenance cover (upper left side).

Wiper Cleaning

The wiper wipes off ink adhering to the print head nozzle surface. Continuing to use with a dirty wiper may cause dried ink and attached dust to damage the head nozzle surface, and could lead to ejection failures (e.g., nozzle clogging or deflection).



- Be careful to avoid leaving fragments from the cleaning stick behind when cleaning. These fragments will increase the risk of ejection failures (e.g., nozzle clogging or deflection).

1 On the LOCAL mode screen, select [MENU] > [Maintenance], then press the [ENTER] key.

- The Maintenance menu is displayed.

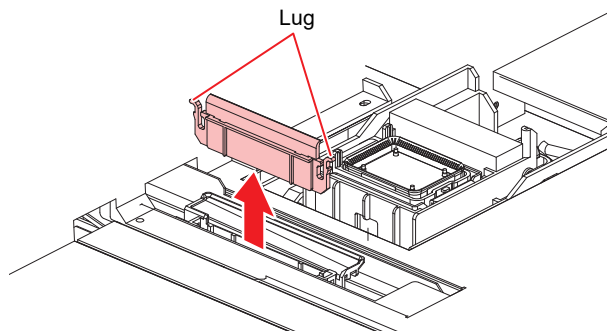
2 Select [Station] > [Carriage Out] > [Move To Platen Right End], then press the [ENTER] key.

- The carriage moves over the platen.

3 Open the maintenance cover (right side).

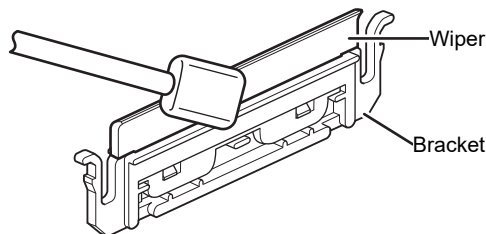
4 Remove the wiper.

- Hold the lugs on both sides of the wiper bracket, then pull out the wiper.



5 Clean the wiper and bracket.

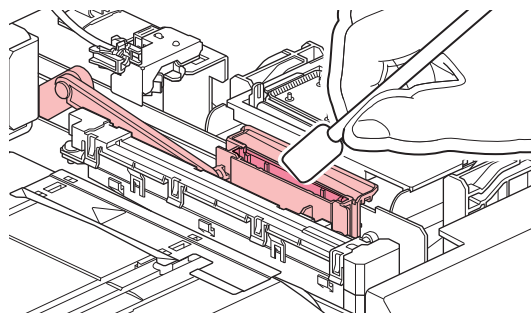
- Wipe off any ink and dust adhering using a cleaning stick moistened with maintenance liquid. Wipe off the maintenance liquid. Make sure none remains.



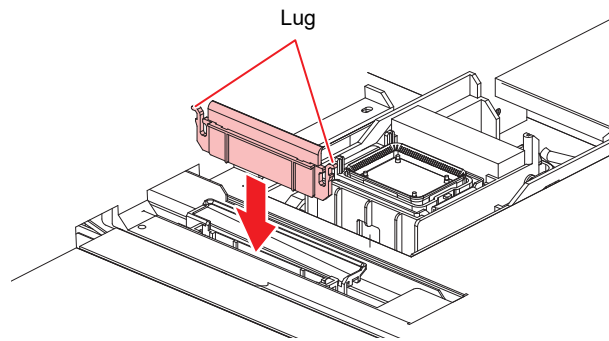
- Replace dirty or warped wipers with new ones.  ["Wiper Replacement"\(P. 22\)](#)

6 Clean the wiper slider.

- Wipe off any ink and dust adhering using a cleaning stick moistened with maintenance liquid. Wipe off the maintenance liquid. Make sure none remains.



7 Reattach the wiper at the original position.



- Do not remove the absorber pad in the pad case. Doing so may result in leaking ink.

8 Once cleaning is complete, close the cover, then press the [ENTER] key.

Cleaning the NCU (Option)

The NCU uses a sensor to monitor the ink droplets ejected from the print head nozzles. Continuing to use the dirty NCU may prevent the nozzle check function from operating correctly.



- Be careful to avoid leaving fragments from the cleaning stick behind when cleaning. These fragments will increase the risk of ejection failures (e.g., nozzle clogging or deflection).

1 On the LOCAL mode screen, select [MENU] > [Maintenance], then press the [ENTER] key.

- The Maintenance menu is displayed.

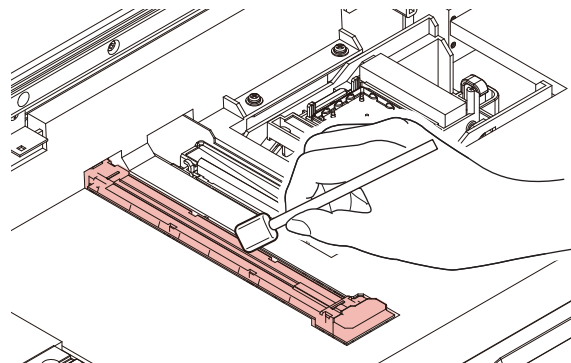
2 Select [Station Maint.] > [Carriage Out] > [Move To Platen Right End], then press the [ENTER] key.

- The carriage moves over the platen.

3 Open the maintenance cover (right side).

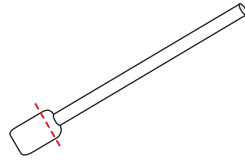
4 Clean the NCU.

- Wipe off any ink and dust adhering using a cleaning stick moistened with maintenance liquid. Wipe off the maintenance liquid. Make sure none remains.





- Insert the cleaning stick as far as the line shown in the illustration.

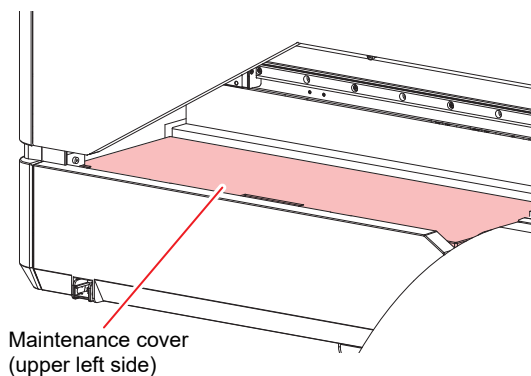


- 5 Once cleaning is complete, close the cover, then press the [ENTER] key.

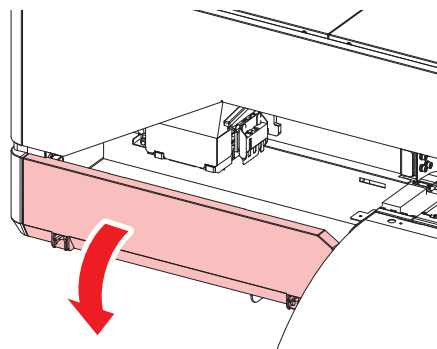
DAS (Automatic Correction Function) Sensor Cleaning

The DAS sensor is located on the carriage underside. If dust or debris accumulates on the sensor, DAS (Media Setting Menu) may not function.

- 1 Remove the maintenance cover (upper left side).

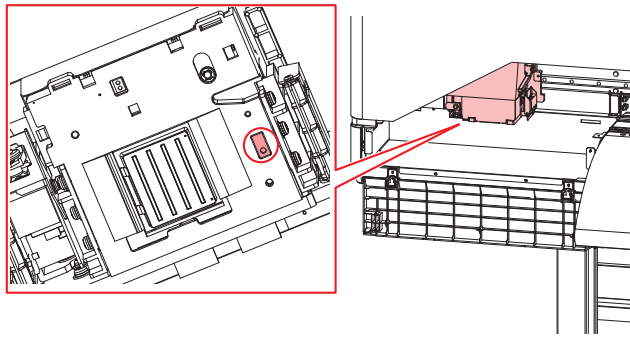


- 2 On the LOCAL mode screen, select [MENU] > [Maintenance], then press the [ENTER] key.
 - The Maintenance menu is displayed.
- 3 Select [Station Maint.] > [Carriage Out] > [Move To Maint. Space], then press the [ENTER] key.
 - The carriage moves to the maintenance space.
- 4 Open the maintenance cover (left).



5 Clean the DAS sensor.

- Wipe clean using cotton swabs or a soft cloth.



- For heavy soiling, wipe using a soft cloth soaked in diluted neutral detergent and thoroughly wrung out.

6 Once cleaning is complete, press the [ENTER] key.

7 Close the maintenance cover (left side), then attach the maintenance cover (upper left side).

Ink Discharge Channel Cleaning

Clean the ink discharge channel regularly to prevent clogging of the ink discharge channel below the cap.

1 On the LOCAL mode screen, select [MENU] > [Maintenance], then press the [ENTER] key.

- The Maintenance menu is displayed.

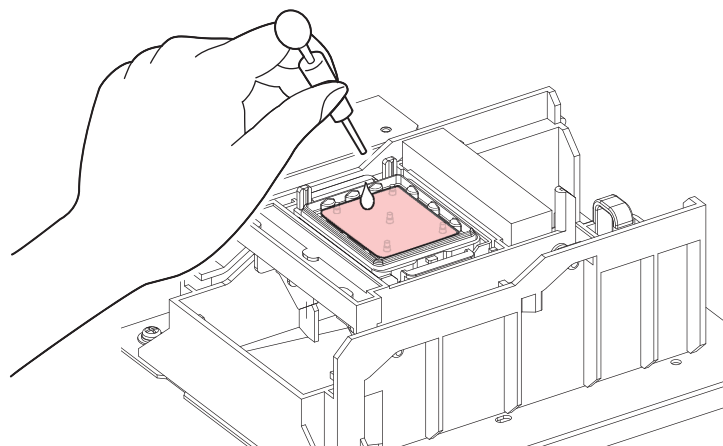
2 Select [Station Maint.] > [Pump tube cleaning], then press the [ENTER] key.

3 Open the maintenance cover (right side).

4 Fill the cap with maintenance liquid.



- Use a syringe to draw up some maintenance liquid and fill until it almost overflows from the cap.

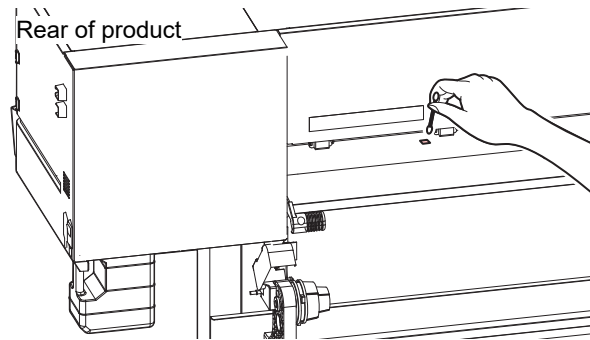


5 Close the maintenance cover (right side), then press the [ENTER] key.

- Pump tube (ink discharge channel below the cap) washing starts.

Media Sensor Cleaning

Media sensors are located on the rear cover and carriage underside. The media cannot be detected correctly if dust or debris accumulates on the sensors. Remove any debris using cotton swabs or a soft cloth.



● Cleaning the carriage underside sensor

- 1** On the LOCAL mode screen, select [MENU] > [Maintenance], then press the [ENTER] key.
 - The Maintenance menu is displayed.
- 2** Select [Station Maint.] > [Carriage Out] > [Move To Maint. Space], then press the [ENTER] key.
 - The carriage moves to the maintenance space.
- 3** Clean the media sensor.
- 4** Once cleaning is complete, press the [ENTER] key.

Media Cutter Cleaning

Continuing to use a dirty media cutter may cause dust to collect on the head nozzle surface or the cutter blade to grow dull.



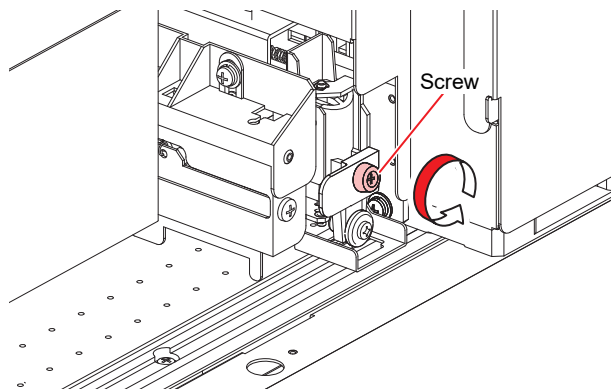
- Avoid touching the cutter blade. Failure to do so may result in injury.

- 1** On the LOCAL mode screen, select [MENU] > [Maintenance], then press the [ENTER] key.
 - The Maintenance menu is displayed.
- 2** Select [Station Maint.] > [Carriage Out] > [Move To Platen Right End], then press the [ENTER] key.
 - The carriage moves over the platen.
- 3** Open the maintenance cover (right side).



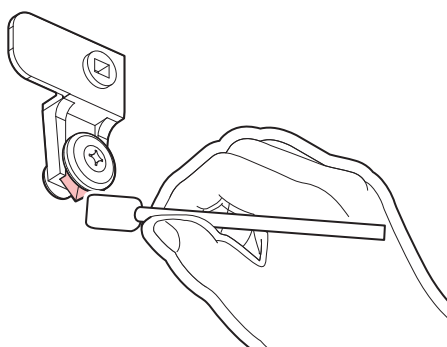
- The carriage can be moved by hand. Move the carriage slowly to a position allowing easy access while working.

4 Remove the media cutter.



5 Clean both sides of the media cutter.

- Wipe off any adhesive paste, ink and dust adhering using a cleaning stick moistened with industrial alcohol. Wipe off any industrial alcohol so that none remains.



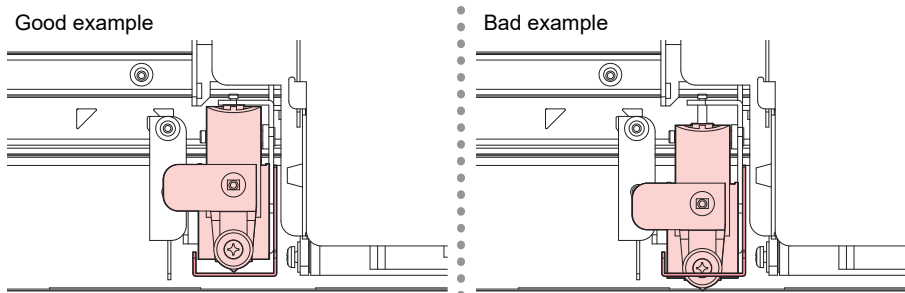
6 Return the media cutter to its original position.



- Tighten the screw securely. A loose screw may cause cutter or platen damage.

7 Check the position of the media cutter.

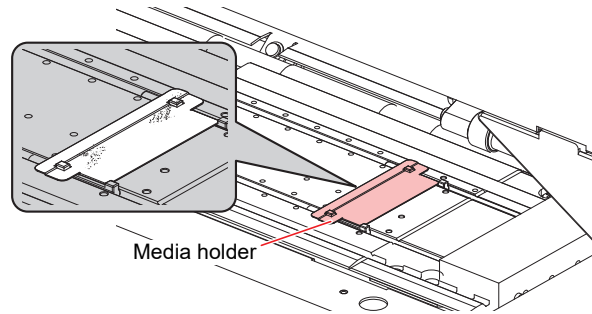
- Lift up the media cutter by hand if it has dropped down.



8 Once cleaning is complete, close the cover, then press the [ENTER] key.

Media Holder Cleaning

Continuing to use a dirty media holder will prevent correct media detection or proper feeding of the media. It will also cause dried ink and attached dust to rub against the head nozzle surface and lead to ejection failures (e.g., nozzle clogging or deflection).



- Turn off the main power supply and unplug the power cable before carrying out maintenance.



- Be careful to prevent liquids from getting inside the machine. Otherwise there is a risk of failure, electric shock, or fire.

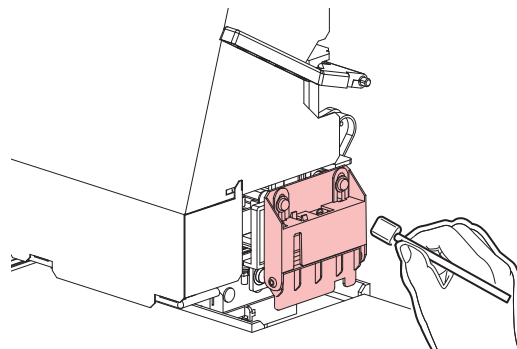


- For heavy soiling, wipe using a soft cloth soaked in diluted neutral detergent and thoroughly wrung out.

Jam Sensor Detecting Plate Cleaning

Continuing to use the dirty carriage underside will rub dried ink and attached dust on to the media, resulting in contaminated prints.

- 1 On the LOCAL mode screen, select [MENU] > [Maintenance], then press the [ENTER] key.**
 - The Maintenance menu is displayed.
- 2 Select [Station Maint.] > [Carriage Out] > [Move To Maint. Space], then press the [ENTER] key.**
 - The carriage moves to the maintenance space.
- 3 Clean the jam sensor detecting plate.**
 - Clean the jam sensor detecting plate underside at the left and right sides of the carriage.
 - Wipe off any ink and dust adhering using a cleaning stick moistened with maintenance liquid. Wipe off the maintenance liquid. Make sure none remains.



- 4 Once cleaning is complete, press the [ENTER] key.**

Platen Cleaning

Continuing to use the dirty platen will prevent proper feeding of the media. It will also cause dried ink and attached dust to rub against the head nozzle surface and lead to ejection failures (e.g., nozzle clogging or deflection).



- Turn off the main power supply and unplug the power cable before carrying out maintenance.



- Be careful to prevent liquids from getting inside the machine. Otherwise there is a risk of failure, electric shock, or fire.

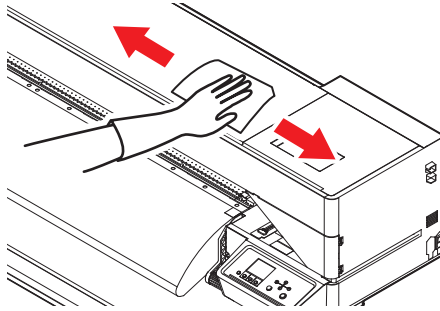


- The grooves in which the media holder slides and the media is cut are susceptible to dust accumulation. Remove any debris carefully.



- For heavy soiling, wipe using a soft cloth soaked in diluted neutral detergent and thoroughly wrung out.

Cover (Exterior) Cleaning



- Be careful to prevent liquids from getting inside the machine. Otherwise there is a risk of failure, electric shock, or fire.



- For heavy soiling, wipe using a soft cloth soaked in diluted neutral detergent and thoroughly wrung out.

When this Printer is Left Unused for a Long Time

Clean as follows if the product is not used for one week or longer:

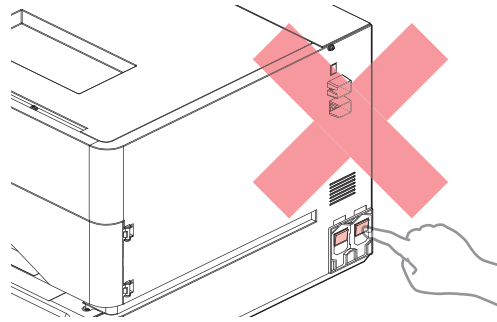
Check beforehand

Is [Near End] or [Ink End] displayed?

- Maintenance liquid and ink is aspirated during the washing operation. Washing is not possible if an error occurs during this process. Replace with new ink.



- Do not turn off the main power supply. Turning off the main power supply will disable the automatic maintenance function (including nozzle clogging prevention function and ink discharge channel cleaning function). This increases the risk of ejection failures (such as nozzle clogging or deflection).



- Do not leave media loaded on the platen. This may leave irregularities or ripples in the media.





When the machine is not in use, raise the clamp lever to **separate the pinch rollers from the grit rollers**.

- Leaving the pinch rollers lowered may cause them to become deformed and prevent media from being fed correctly.
- Leaving media loaded will subject it to force from the pinch rollers, which may leave pinch roller marks on it.

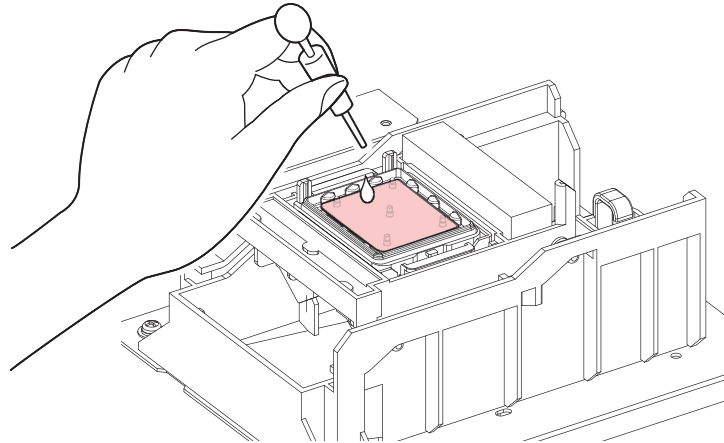


- Perform the following if the "Check Waste Ink Tank" message appears on the display.
 ["Waste Ink Tank Replacement"\(P. 29\)](#)

- 1 On the LOCAL mode screen, select [MENU] > [Maintenance], then press the [ENTER] key.**
 - The Maintenance menu is displayed.
- 2 Select [Station Maint.] > [Custody Wash], then press the [ENTER] key.**
 - The carriage moves over the platen.
- 3 Open the maintenance cover (right side).**
- 4 Clean the wiper.**
 -  ["Wiper Cleaning"\(P. 10\)](#)
- 5 Clean the cap rubber.**
 -  ["Cap Rubber Cleaning"\(P. 8\)](#)
- 6 Once cleaning is complete, press the [ENTER] key.**
- 7 Fill the cap with maintenance liquid.**



- Use a syringe to draw up some maintenance liquid and fill until it almost overflows from the cap.



- 8** Close the maintenance cover (right side).
- 9** Set the exposure time, then press the [ENTER] key.
 - Cleaning is performed automatically once print nozzle washing has ended.
 - [Please wait] is displayed.
- 10** When [Maintenance liquid solution the liquid.] appears again, open the maintenance cover (right side), and fill the cap with cleaning solution in the same way as Step 7.
- 11** Close the maintenance cover (right side).

3. Replacement of Consumable Item

To order replacement consumable items, contact your local dealer or our service office. For more information on consumable items, refer to our website (<https://mimaki.com/supply/inkjet.html>).



- Do not store consumable items in locations where children may enter.



- When disposing of consumable items, contact an industrial waste disposal operator or dispose of the product in accordance with the local laws and regulations.

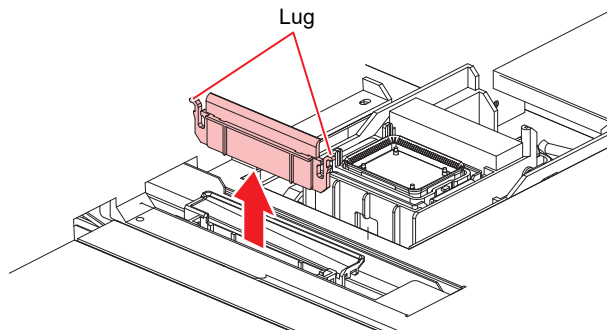
Consumable Item Replacement Timing

Timing	Item
When dirty	"Replacing the Absorber Around the Station"(P. 24)
When ejection failures cannot be remedied	"Cap Replacement"(P. 23) "Wiper Replacement"(P. 22)
When damaged	"Cap Replacement"(P. 23) "Pinch Roller Replacement"(P. 26) "Media Holder Replacement"(P. 26) "Media Cutter Replacement"(P. 28) "Cutter for Cutting Machine"(P. 32) "Pen Line Replacement"(P. 32)
When "Check Waste Ink Tank" appears on the display	"Waste Ink Tank Replacement"(P. 29)

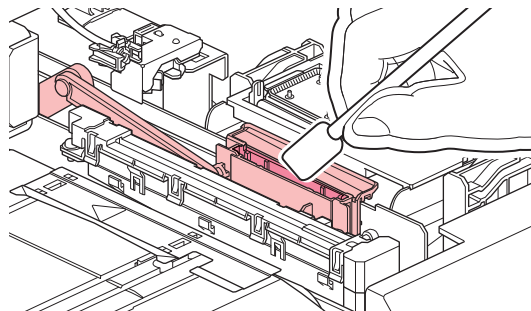
Wiper Replacement

The machine maintains a count of the number of wiping cycles. The "Replace Wiper" message appears when a preset count is reached. Replace dirty or warped wipers with new ones.

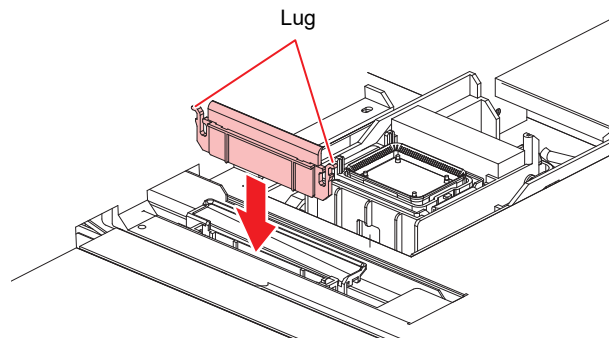
- 1** "Replace Wiper" appears on the display.
- 2** On the LOCAL mode screen, select [MENU] > [Maintenance], then press the [ENTER] key.
 - The Maintenance menu is displayed.
- 3** Select [Station Maint.] > [Replace Wiper], then press the [ENTER] key.
 - The carriage moves over the platen.
- 4** Open the maintenance cover (right side).
- 5** Remove the wiper.
 - Hold the lugs on both sides of the wiper bracket, then pull out the wiper.



- 6** Clean the wiper slider.
 - Wipe off any ink and dust adhering using a cleaning stick moistened with maintenance liquid. Wipe off the maintenance liquid. Make sure none remains.



7 Mount a new wiper.



8 Once replacement is complete, close the cover, then press the [ENTER] key.

- The wiper usage count is reset.

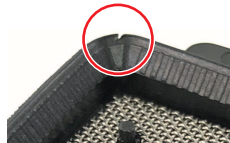
9 Once replacement is complete, close the cover, then press the [ENTER] key.

Cap Replacement

If ejection failures (e.g., nozzle clogging or deflection) remain unresolved even after cleaning, replace with a new cap.



- Be sure to replace the cap if you observe any scratches or other damage on the rim.



- We recommend replacing the cap every six to twelve months.

1 On the LOCAL mode screen, select [MENU] > [Maintenance], then press the [ENTER] key.

- The Maintenance menu is displayed.

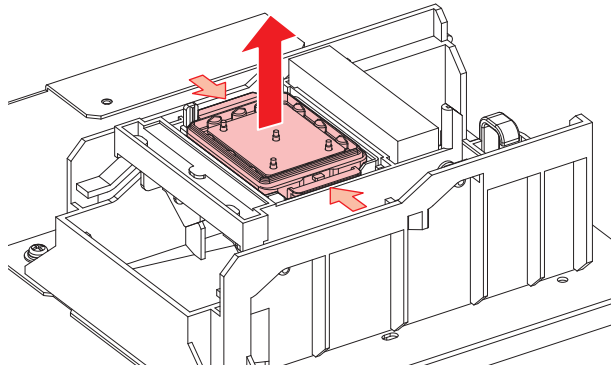
2 Select [Station Maint.] > [Replace Cap], then press the [ENTER] key.

- The carriage moves over the platen.

3 Open the maintenance cover (right side).

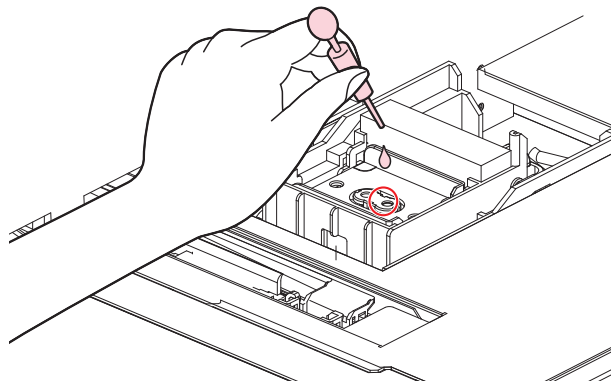
4 Remove the cap.

- Squeeze the lugs on either side of the cap and pull off.



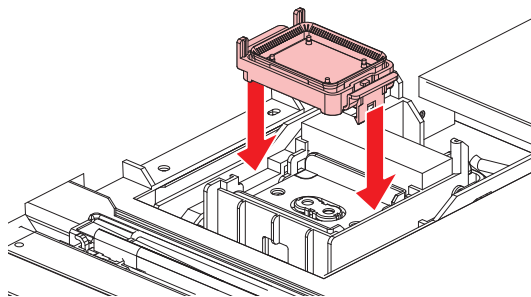
5 Apply maintenance liquid.

- Use a syringe to apply two or three drops of maintenance liquid to the hole at the front.



6 Mount a new cap.

- Position with the slot at the front and push in until it clicks.



7 Once replacement is complete, close the cover, then press the [ENTER] key.

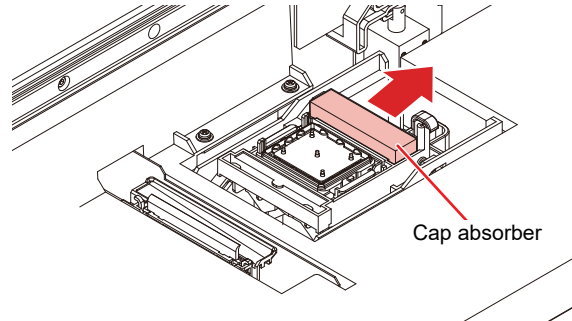
Replacing the Absorber Around the Station

If the cap absorber or maintenance liquid absorber is very dirty or if ink drips on to the media, replace with a new cap absorber.

1 On the LOCAL mode screen, select [MENU] > [Maintenance], then press the [ENTER] key.

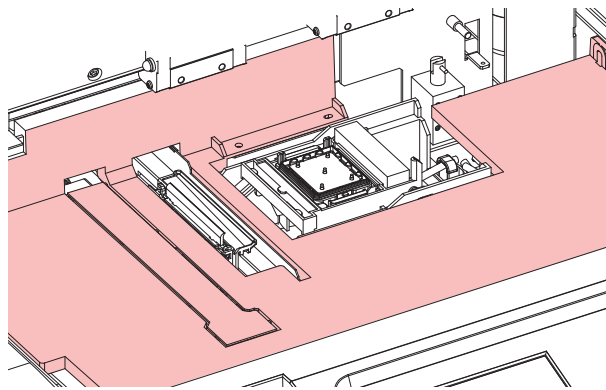
- The Maintenance menu is displayed.

- 2 Select [Station Maint.] > [Carriage Out] > [Move To Platen Right End], then press the [ENTER] key.
 - The carriage moves over the platen.
- 3 Open the maintenance cover (right side).
- 4 Remove the cap absorber.



- Avoid ink dripping when removing the cap absorbers.

- 5 Clean the station cover.

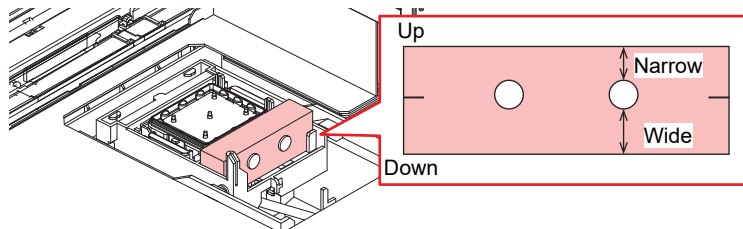


- For heavy soiling, wipe using a soft cloth soaked in diluted neutral detergent and thoroughly wrung out.

- 6 Mount a new cap absorber.



- As shown in the figure, mount the absorber with the narrow side on top and the wide side at the bottom.



- 7 Once replacement is complete, close the cover, then press the [ENTER] key.

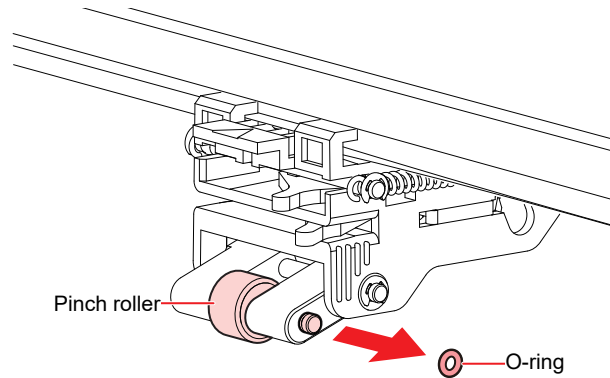
Pinch Roller Replacement

Replace worn or dirty pinch rollers with new ones.



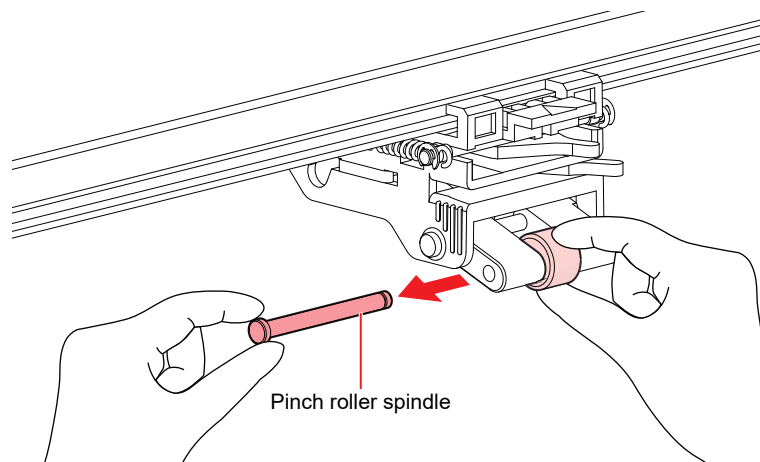
- Turn off the main power and unplug the power cable before replacement.

- 1** Raise the clamp lever.
- 2** Remove the O-ring retaining the pinch rollers.



- The pinch rollers are small. Be careful to avoid dropping them into the product interior.

- 3** Remove the pinch roller spindle.



- 4** Mount new pinch rollers, and secure them using the O-ring.

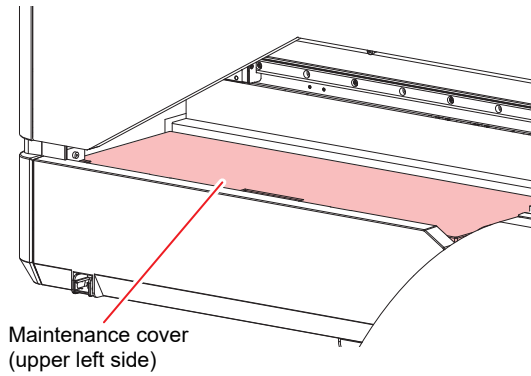
Media Holder Replacement

If the media holder becomes deformed and touches the carriage or print head, replace with a new media holder.

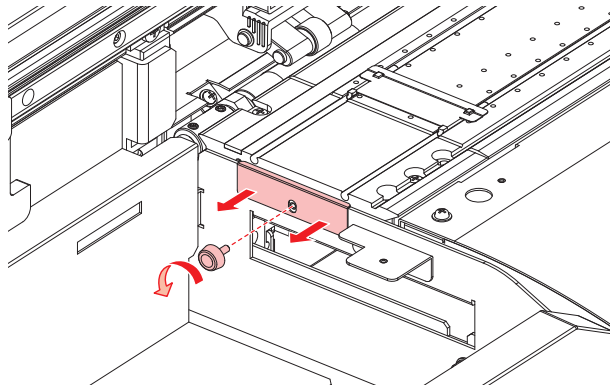


- Turn off the main power and unplug the power cable before replacement.

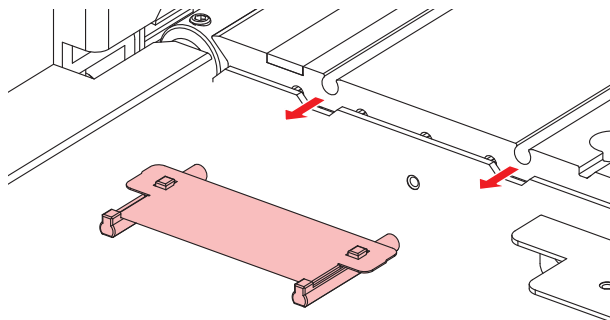
- 1 Remove the maintenance cover (upper left side).



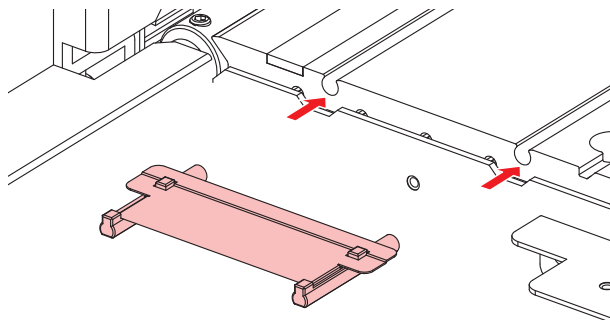
- 2 Remove the side screw, and detach the media holder stopper.



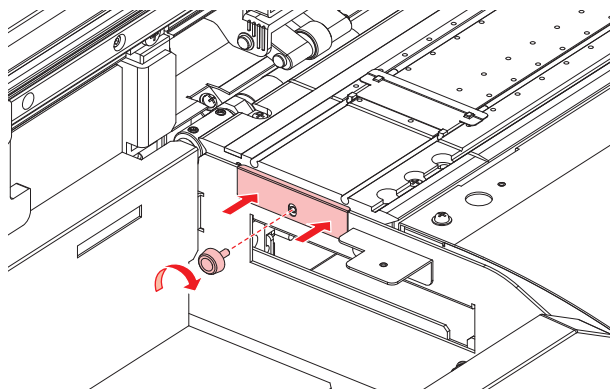
- 3 Remove the media holder.



- 4 Mount the new media holder on to the platen.



5 Secure the media holder stopper with the screw.



6 Attach the maintenance cover (upper left side).

Media Cutter Replacement

Replace cutters when blades are chipped or blunt.



- Avoid touching the cutter blade. Failure to do so may result in injury.

1 On the LOCAL mode screen, select [MENU] > [Maintenance], then press the [ENTER] key.

- The Maintenance menu is displayed.

2 Select [Station Maint.] > [Carriage Out] > [Move To Platen Right End], then press the [ENTER] key.

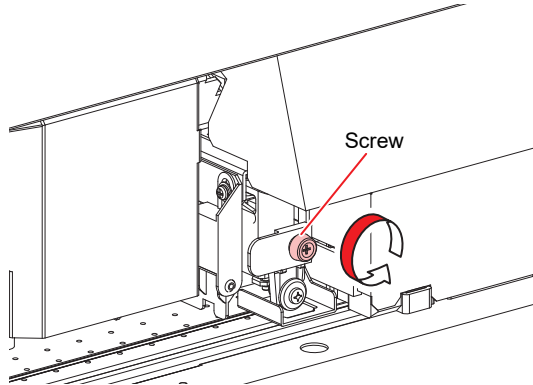
- The carriage moves over the platen.



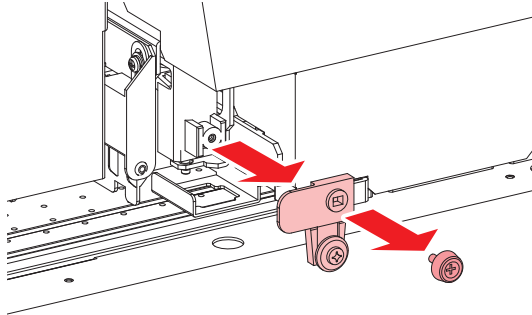
- The carriage can be moved by hand. Move the carriage slowly to a position allowing easy access while working.

3 Replace the media cutter.

- (1) Unscrew the cutter screw.



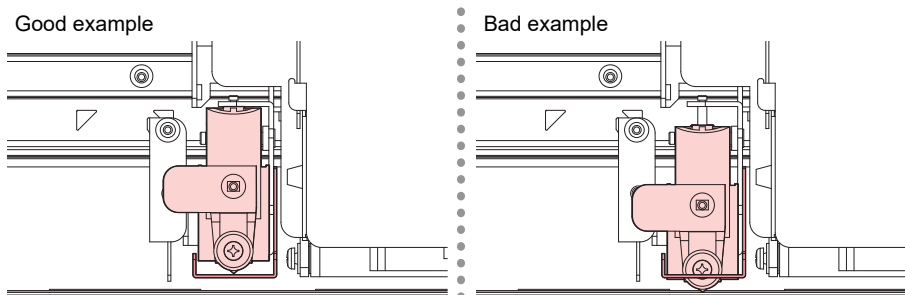
- (2) Remove the cutter.



- (3) Mount a new cutter.
- (4) Tighten the screw to clamp the cutter.

4 Check the position of the media cutter.

- Lift up the media cutter by hand if it has dropped down.



5 Press the [ENTER] key once replace is complete.

Waste Ink Tank Replacement

Ink used during head cleaning and other processes is collected in the waste ink tank at the lower right of the machine.

This product keeps track of the waste ink level. A "Check Waste Ink Tank" message appears when the preset level is reached. Use this a guide for replacing the waste ink tank.




- For a 2-liter tank, the preset level is 80 % (1.6 L).
- Continuing to use the product without disposing of the waste ink may result in waste ink overflowing from the waste ink tank. Visually check ink levels in the waste ink tank about once a week.



- Pay close attention to ventilation and be sure to wear safety glasses, gloves, and a mask when handling ink, maintenance liquid, waste ink, or other solutions used with the machine. Leaking ink may adhere to the skin or get into the eyes or mouth.



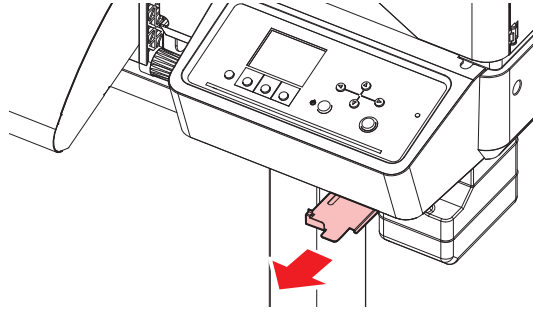
When "Check Waste Ink Tank" message appears

- 1** The "Check Waste Ink Tank" message appears on the display.
- 2** Check the waste ink levels in the waste ink tank.
 - If you note any discrepancies from actual levels, proceed to the next step.
 - If there is no discrepancy, replace (dispose of) the waste ink tank referring to  ["Replacing the Waste Ink Tank"\(P. 30\)](#).
- 3** On the LOCAL mode screen, select [MENU] > [Maintenance], then press the [ENTER] key.
 - The Maintenance menu is displayed.
- 4** Select [Waste Ink Tank], then press the [ENTER] key.
 - "Replace Wasteinktank Level: 80 % (1.6 L)" appears on the display.
- 5** Select [Adjust Waste Ink Volume], then press the [ENTER] key.
- 6** Press ▲▼ to adjust the level.
- 7** Press the [ENTER] key once adjustment is complete.

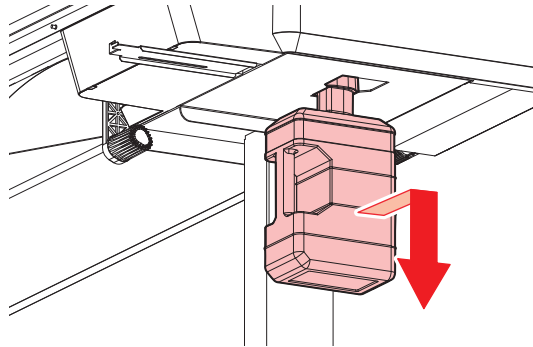
Replacing the Waste Ink Tank

- 1** On the LOCAL mode screen, select [MENU] > [Maintenance], then press the [ENTER] key.
 - The Maintenance menu is displayed.
- 2** Select [Waste Ink Tank], then press the [ENTER] key.
 - "Replace Wasteinktank Level: 80 % (1.6 L)" appears on the display.
- 3** Select [Reset Waste Ink Volume], then press the [ENTER] key.

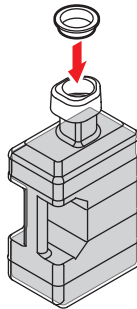
4 Pull the waste ink tank stopper forward.



5 Hold the handle on the waste ink tank and slide out.

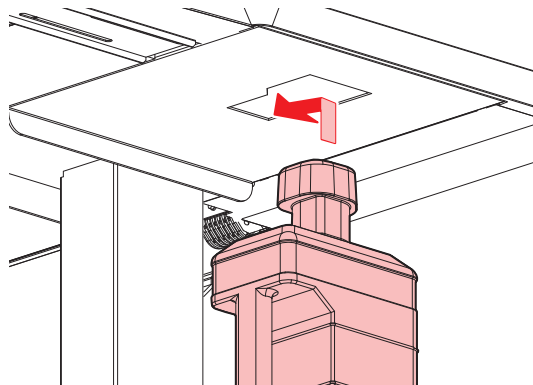


6 Attach the cap to the removed waste ink tank, and use tape to prevent leakage of waste ink.

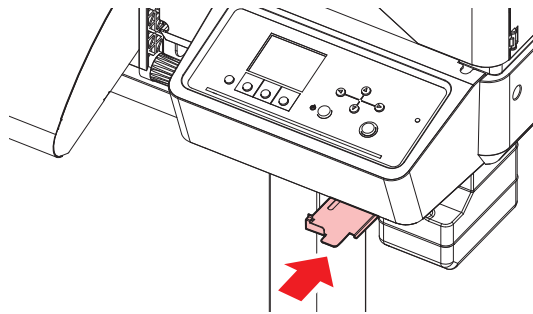


- When disposing of ink, maintenance liquid or other liquid used with the product, or containers or non-woven fabric contaminated with ink or other liquid, contact an industrial waste disposal operator or dispose of the product in accordance with the local laws and regulations.

7 Mount a new waste ink tank.



- 8 Close the waste ink tank stopper.



- 9 Press the [ENTER] key.
 - The waste ink level will be reset.

Cutter for Cutting Machine

Replace cutters when blades are chipped or blunt.



- Avoid touching the cutter blade. Failure to do so may result in injury.
- Do not shake the cutter holder. The cutter blade may come out.

● Replacing Cutters

Installing Cutting Tools

Pen Line Replacement

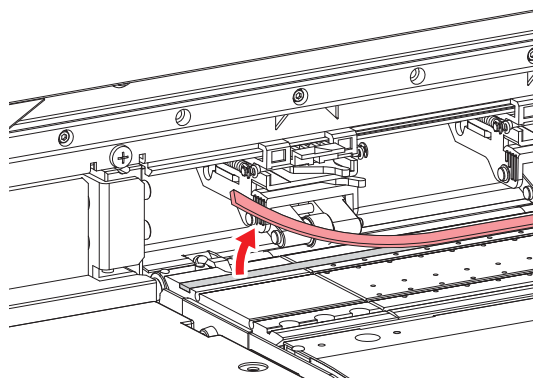
This machine can be used with the following pen lines.

- Pen line rubber
Used for pen writing or cutting
- Pen line sponge
Used for half cut (cutting across a dotted line)



- Turn off the main power and unplug the power cable before replacement.

- 1 Use tweezers to peel off the end of the pen line.
 - Wipe off any adhesive remaining in the platen slot with industrial alcohol.



- 2 Attach double-sided tape in the platen slot.**
 - Peel off the base paper from the double-sided tape.
- 3 Attach the pen line on the double-sided tape.**
 - Make sure the pen line lies flat.

Care and maintenance

October, 2024

MIMAKI ENGINEERING CO.,LTD.

2182-3 Shigeno-otsu, Tomi-shi, Nagano 389-0512 JAPAN

D203838-10-17102024

